



Consolite® Technology Ltd

St. Martins Business Park, Bells Lane, Zeals, Wiltshire, BA12 6LY, UK

Tel: +44 (0) 1747 840900 - E mail: sales@consolite.co.uk

Certified to ISO9001:2015

CTL-490 Surface Mounted Bunk Light, LED, Interior

A surface mounted LED bunk light fixture with adjustable white light.
Robust steel design, with dimming controls and two USB charging ports.

Features:

- LED technology - low power, high reliability
- Warm white light, dimmable
- Rugged construction, folded and painted stainless steel body
- Low profile front panel
- 2 USB-A ports for connecting and charging devices
- Electronic control to prevent run away charging



CTL-490-xxxx



Consolite® Technology Ltd

St. Martins Business Park, Bells Lane, Zeals, Wiltshire, BA12 6LY, UK

Tel: +44 (0) 1747 840900 - E mail: sales@consolite.co.uk

Certified to ISO9001:2015

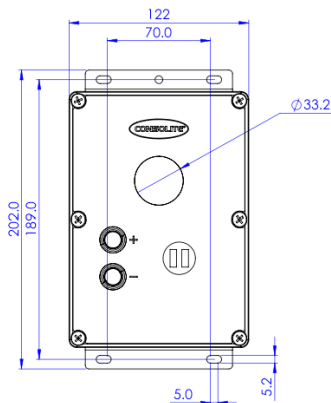
Part Nos

	Input Voltage (V AC)	Light Output (lm)
CTL-490-H110	115	200
CTL-490-M310	230	200

Installation Data

Dimensions (mm)	202 x 122 x 60
Weight (kg)	<1.5
Light Output	Warm white light (3000K)
Material	Cast aluminium housing, Traffic White (RAL 9016)
IP rating	IP44 when fitted to the bulkhead and USB bungs fitted

Dimensional drawing



Standards

EMC compliant IAW Def Stan 59-411, IEC 60945

Electrical safety tested IAW BS EN 60598-1

Vibration and shock to IEC 60092-306

IP rating to EN 60529

Consolite is a long established leader in night vision lighting for military platforms, designing and manufacturing lighting for NVGs for over 25 years, including lighting for aircraft, ships and ground use.

Consolite's design facility permits the calculation of lighting requirements for any space from a single compartment to an entire ship.

Consolite's test facility includes the latest equipment required for testing night vision compliance to any relevant standard plus goniophotometric equipment for full 360 degree light characterisation of luminaire output.